

Fubag

Инвертор сварочный
Welding inverter

Operator's Manual
Инструкция по эксплуатации

IR 140
IR 160
IR 180
IR 200
IR 220



www.fubag.ru



WARNING! BEFORE USING THE WELDING MACHINE READ THE INSTRUCTION MANUAL CAREFULLY! FOR QUALIFIED AND SPECIALLY TRAINED PERSONS ONLY AFTER PROPER READING OF THIS MANUAL IS ALLOWED TO USE AND TO MAINTAIN THIS WELDING MACHINE.

The detailed description, safety rules and all required information necessary for proper operation and maintenance of FUBAG welding machine are provided below. Keep this instruction manual by machine and refer to it by any doubts concerning safety operation, maintenance storage and handling of FUBAG welding machine.

1. Safety operation

- It is highly recommended always to follow the safety rules. Wear protective clothes and special means to avoid injuries to eyes and skins.
- Use the welding mask or special protective glasses while working with the welding machine. Only by viewing through the filter lens on the welding mask your eyes are secured by your operation.
- Prevent the sparks and spatter from harming your body.
- Under no circumstance allow any part of your body to touch the welder's output bipolarity (torch and work piece).
- Do not operate under water or more humid place.
- Fumes and gases produced when welding are hazardous to health. Make sure to work in places where there are exhaust or ventilation facilities to keep fumes or emissions away from the breathing zone.
- Please remember to keep arc rays away from the other nearby people when welding. This is only due to the interference from arc rays.
- There will be high temperature when welding work piece, so please don't directly touch on it
- No touching on the output connection or any other electrification parts while welding.
- No touching on the electrification parts after turning on the power. Cut off the power supply after operation or before leaving the welding site.
- No welding in the dangerous site where easily get an electrical shock.
- No welding for the container loaded inflammable or explosive materials.
- Safe measures should be adopted while operating in high place to avoid accident.
- No entering the welding site for persons not concerned.
- Welders possible have electromagnetism and frequency interference, so keep away people with heart pace or the articles which can be interfered by electromagnetism and frequency.



WARNING. The welder voltage is always higher, so the safety precaution should be taken before repair to avoid accidental shock. Switch off the power supply before each type of maintenance work. The untrained people are not allowed to make maintenance of the machine.

- Check the connection of input and output cables and the earth (ground) connection, etc.
- Maintenance should be conducted by the trained personnel.
- The newly installed machine or the welder not in use for some time needs to be checked by multimeter have the right insulation resistance between each winding and the case.
- When the welder is used outdoors, it should be kept from rain or long exposure to the sun.
- Check is needed from time to time to make sure the welding cable is in good condition if the welding machine is in frequent use. Check at least once each month if the welder is in regular use. It is necessary to check when the welder is in mobile use.
- If the welder is not in use either for a long time or temporarily, it should be kept dry and have good ventilation to free it from moisture, erodible or toxic gas.
- Dust removal is needed every year. Check the machine's fasteners, moving-iron, current regulation screws, etc to make sure there are no loose connection problems.
- The dust, acid and erodible dirt in the air at the job site can not exceed the amount required by the norm (excluding the emission from the welder).
- The welder must be installed in the place where it can not be exposed to sun and rain. Also it must be stored in less humid place with the temperature.
- When the machine is operating, the temperature must not be higher than +40°C or lower than -10°C.
- There should be 50 cm space about for the welding machine to have good ventilation.
- Make sure that there is no metal-like foreign body to enter the welding machine.
- Electrode must be taken down from holder when no welding.
- No violent vibration in the welder's surrounding area.
- Make sure that there is no interference with the surrounding area at the installation site.

Safety Check:

Each item listed below must be carefully checked before operation:

- Make sure that there is no short circuit connection with welder's both outputs.
- Make sure that there is always sound output and input wire connection instead of exposing it outside.

Regular check needs to be conducted by the qualified personnel after the welding machine has been installed over a long period or re-operation, which involves as follows:

- Check the welding cable to see if it can continue to be used before it is worn out.
- Replace the welder's input cable as soon as it is found to be broken or damaged.
- Make sure whether there is enough power supply to make the welding machine work properly.
Any power source required to access the welding machine must be installed with some protective equipments.

Please do not hesitate to contact us for technical assistance whenever you come across the problems you can not work out or you may deem difficult to fix.

2. Technical specifications

Item	IR 140	IR 160	IR 180	IR 200	IR 220
Rated Input Voltage, V	220	220	220	220	220
Electrical Source Frequency, Hz	50	50	50	50	50
Rated Input Current, A	25	30	35	40	41
Effective Input Current, A	11,2	15	15,7	15,5	15,9
Rated Input Capacity, KVA	5,5	6,6	7,7	8,8	9,0
No-load Voltage, V	65	65	65	65	65
Min. Output Current, A	5	5	5	5	5
Max. Output Current, A	140	160	180	200	205
Voltage at min current, V	20,2	20,2	20,2	20,2	20,2
Voltage at max current, V	25,6	26,4	27,2	28	28,2
Duty Cycle at maximum current, %	40	40	40	40	40
Welding current at Duty Cycle 100%, A	63	80	81	82	82
Efficiency, %	85	85	85	85	85
Power Factor	0,92	0,92	0,92	0,92	0,92
Insulation Grade	H				
Case Protection Grade	IP21S				
Cooling Type	Fan Cool				
Case Size (LxWxH), mm	340x120x240				
Net Weight, kg	5				

The manufacturer reserves himself the right to make the manual's content or welder's function change without any preliminary notification of the users.

3. Description



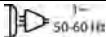






Portable DC Inverter Arc Welder is designed to be used with the advanced IGBT (Insulated Gate Bipolar Tube) and rapid recovery diode as its main control and transfer components and assisted with the specially developed control circuit, it has uniformly regulated welding current which enable the welding power source to achieve the adaptability to the excellent welding procedures. It largely enhanced the welder's protection abilities to ensure safety welding operation. It is quite popular in welding the materials like low-carbon steel, stainless steel, high-intension steel, alloy steel and cast iron.

The highlighted characteristics of Portable DC Inverter Arc Welder:

- Featured with small volume and light weight, it widely used in upholstering field, repairing field and fieldwork;
- Excellent arc-piloting feature and melt & drip transition feature;
- Applicable in downward welding in the vertical position and the long arc spray transfer welding by way of cellulose electrode;
- By various sound protection performance, it can keep the welding machine from overheating, over current and so on. When the main supply compensation is not less than $\pm 15\%$, it can increase while the welding current reduces. Because of its anti jamming high performance, the control system can respond to the power source, work piece, electrode and operational changes with less than 1m/s speed in order to keep steady output of the current;
- Its unique electric arc performances may satisfy the need of different welding procedures;
- Easy connection. To conduct external connection, use all the connectors, which can facilitate quick and safe connection with simple but reliable performance.

No notification will be given if the manual's content or welder's function change.

4. Illustration of signs

SYMBOLS	DECIPHERING
A	Amps
V	Volt
Hz	Hertz
	Electrode welding (MMA – Manual Metal Arc)
S	Adapted for welding in environment with increased risks of electrical shock. However, the welding source must not be placed in such places.
IP21	Protected against rain and against fingers access to dangerous parts
	Welding direct current
	Single phase power supply 50 Hz
U₀	Rated no-load voltage
U₁	Rated supply voltage
I_{1max}	Rated maximum supply current (effective value)
I_{1eff}	Maximum effective supply current
	Single phase inverter, converter-rectifier
	Duty factor at ...%
I₂	Corresponding conventional welding current
U₂	Conventional voltages in corresponding load
	The electric arc produces dangerous rays for eyes and skin (protect yourself !)
	Caution, welding can produce fire or explosion
	Caution! Read the user manual
	Separate collection required – Do not throw in a domestic dustbin

5. The device and conditions of work

Portable DC Inverter Arc Welder use the movable carton like structures: The upper part in the front is equipped with a power switch, a welding current regulation knob, power indicator light (green), abnormal indicator light (yellow), working indicator (red) while the lower part is furnished with the current output “+” quick connector and “-” quick connector. The back side is installed with cooling fan, power source lead-in wire. On the top there is a strap for the convenient of easy transport. When you open the cover, there is one primary transformer, one piece of printed circuit board. The bottom part is supplied with output reactor, primary transformer and etc. Installed in the middle part is a radiator with power elements.

Environment to which the product is subject

- The surrounding temperature range: When welding: $-10 \sim +40^{\circ}\text{C}$
During transport or in storage: $-25 \sim +55^{\circ}\text{C}$
- Relative humidity: when at 40°C : $\leq 50\%$, when at 20°C : $\leq 90\%$.
- The dust, acid and erasable materials in the air can not exceed the amount required by the norm (apart from the emissions from the welder). No violent vibration at the job site.
- Altitude no more than 1,000m.
- There should be 50 cm space about for the welding machine to have good ventilation.
- Keep from raining when it is used outdoors.
- Please at a distance of 300mm or more from walls or similar that could restrict natural air flow for cooling.
- The wind speed for all of the location should less then 1m/s;

The Requirement for Main Supply

- The voltage oscillogram should display actual sine wave, the oscillation of the frequency should not exceed $\pm 15\%$ of the rated value.
- The oscillation of the supplied voltage should not exceed $\pm 15\%$ of the rated value.

6. Installation

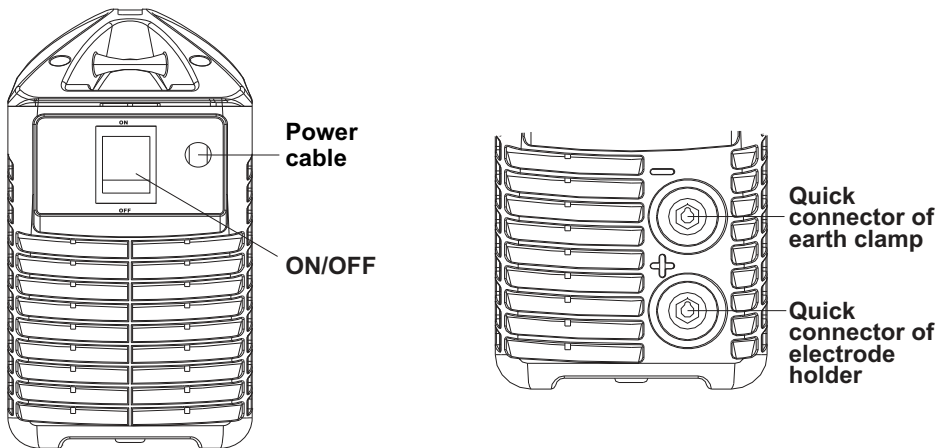
Installation welding machine

- The dust, acid and erasible dirt in the air at the job site can not exceed the amount required by the norm.
- The welder must be installed in the place where it can not be exposed to sun and rain. Also it must be stored in less humid place with the temperature range at $-10 \sim 40^{\circ}\text{C}$.
- There should be 50 cm space about for the welding machine to have good ventilation.
- Apparatus to exclude wind and smoke should be equipped if the inside aeration is not sound.

Connection between Welder and Power Source

Connect the power source cable at the back board of the welder into the single phase 220 voltage power network with breaker; 380 voltage power sources is strictly prohibited to the welder which will severely damage the welder, otherwise the user should take the consequences for it.

Notice: Power network earth connection is not power network connection zero.



Connection between Welder and Torch

Insert the quick connector of the welding cable on the electrode holder into current output “-” electrode adaptor on the second half of the front panel and then screw down clockwise.

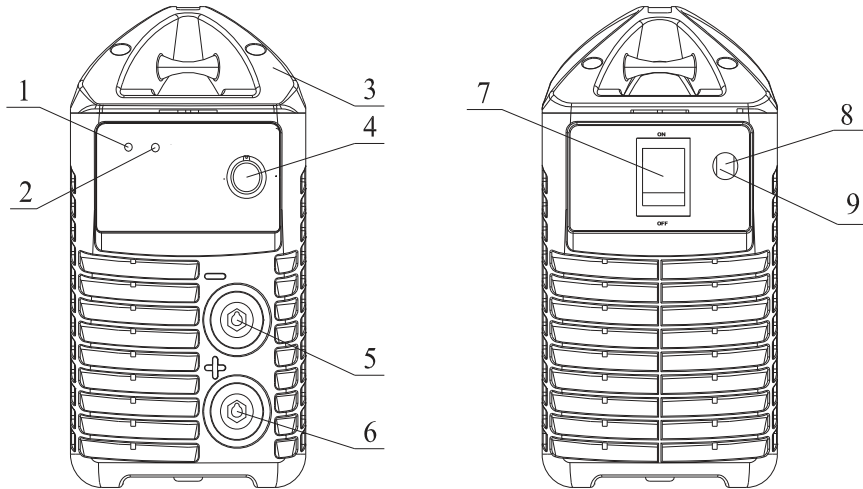
Connection between Welder and Work Piece

Insert the quick connector of earth cable with earth clamp into current output “-” electrode adaptor on the second half of the front panel and then screw down clockwise. The earth clamp is connected with work piece.

Notice: Do not use steel plate or the materials alike which are ill conductor to connect between welder and work piece.

7. Operation

Attention: The protection class DC Inverter Arc Welder is IP21S. It is forbidden to put in a finger or insert a round bar less than 12.5 mm (metal bar in particular) into the welder. No heavy force can be employed on the welder.



- 1 - Power indicator
- 2 - Protection Indicator Light
- 3 - Handle
- 4 - Welding Current Adjustment Knob
- 5 - Current Output “-” Electrode
- 6 - Current Output “+” Electrode
- 7 - On-off Switch
- 8 - Power Input Wire

Attention:

- The equipment class DC Inverter Arc Welder is class A. The class A equipment is not intended for use in residential locations where the electrical power is provided by the public low-voltage supply system.
- DC Inverter Arc Welder adopt the drooping characteristic.
- The 'protection indicator light' will be on after a long time operation, it shows that the inner temperature is over the permitted data, then the machine should be stopped using for some time to let it cool down. It can continue using after the 'protection indicator light' is off.
- The power source should be switched off after the operation or while temporarily leaving job site.
- Welders should dress canvas work cloth and wear welding mask to prevent the hurt from arc and thermal radiation.
- Light separating screen should be put in the job site to prevent the arc will hurt other people.
- Inflammable or explosive materials are prohibited to access the job site.
- Each connection of the welder should be connected correctly and creditably.

Basic Welding Procedure

- a) Connecting the power source switch, (Power Indicator Light) bright;
- b) Regulate the welding current potentiometer to reach the value for welding;
- c) Take-up the torch hand, aim at the welding seam, use the stick contact with the work piece and then the electric arc was ignited, i.e. you can effect the arc welding at the same time the (Welding Indicator Light) bright.

Replacement of Electrode

Only when the electrode burns up to 1~2 cm away from the electrode holder does it become necessary to replace it with a new one in order to proceed with welding.

REMARKS: * Electrode burns at high temperature. Please do not use hand to replace it. The replaced electrode end should be placed in a metal container;

* Do not use the electrode holder to clamp the electrode coating;

* While ignite the electric arc, you should scrap lightly, or it may adhere to the stick.

8. Maintenance

Unlike the traditional welder, the reversible welder belongs to the scientifically sophisticated product which uses the modern electronic component parts combined with state-of-the art technology. Therefore the trained personnel are required for its maintenance. However, due to the fact that there are very few components to be easily worn out, it doesn't need regular service apart from usual cleaning work. Only the qualified people are allowed to be in charge of the repair job. It is strongly recommended that customers contact our company for the technical back-up or service when they feel unable to work out the technical hitch or problems.

The Maintenance includes:

Dust Removal

The professional service man must regularly clean up the dust from the welder by the dry compressed air (air compressor or the similar device). Meanwhile examination can also be performed to make sure there are no loose parts and components inside the machine. Immediate cleaning is needed if there is an accumulation of dust.

Under normal circumstance cleaning is only required once a year unless there is too much dust inside the welder. If so, cleaning needs to be done every quarter of the year.

Keep the Welder Cable Plug in good condition

The Welder Cable Plug needs to be checked from time to time. In its regular usage, at least it has to be inspected each month. However, it is necessary to check it every time when it is in the mobile circumstance.

WARNING:

- If the main loop voltage happens to be a bit higher, safety precaution should be taken before repair to avoid accidental shock. The untrained people are forbidden to open the case!
- Power source needs to be cut off before dust removal;
- Never tamper with wire or damage the component parts when cleaning.

9. Troubleshooting

Breakdown	Analysis	Solutions
Yellow Indicator is on	Bad power ventilation lead to over-heat protection	Improve the ventilation condition.
	Circumstance temperature is too high	It will automatically recover when the Temperature low down
	Using over the rated duty-cycle	
The adjustment knob on the front panel didn't work	Potentiometer broken (current regulation)	Replace the potentiometer.
Cooling Fan not working or turning very slowly	Switch broken	Replace the switch
	Fan broken	Replace or repair the fan
	Wire broken or falling off	Check the connection
No no-load voltage	Over voltage, under voltage or scarcity of phase	See No. 1
	Welder getting overheated	See No. 1
	Switch broken	Replace the switch
Electrode Holder and Cable getting hot; "+" "-" polar sockets becoming hot	Electrode Holder's capacity is too small;	Replace it with a bigger capacity one
	Cable is of small size	Replace it with another one in conformity with the requirement
	Socket loosen	Remove the oxide skin and tighten it
	Bigger resistance between the electrode holder and the cable	
Power source tripping	Resume power over a long period of time (more than two days)	Not failure. Trip caused by the main power filter's capacity charging. Switch 6 on the main power source.
	In the process of welding	Contact us
Others		Contact us

10. Complete Set Specification

DC Inverter Arc Welder.....	1 set
Product Certificate.....	1 set
Operator's Manual.....	1 set
Accessories	
Welding Cable (fixed with Electrode Holder).....	1 set
Earth cable (fixed with earth clamps).....	1 set

11. Transport & storage

The welder comes under the category of indoor equipment. The tolerable temperature for both transport and storage ranges from -25 to +55°C, and the storage environment should be dry. To keep the machine from the humidity, it is recommended to free it from moisture and dust before it is kept in the plastic bag.

Users are suggested to keep carton and shock-proof stuff for the future possible transport. In line-haul, please prepare another wood carton which is labeled "Keep it from rain", "Handle with care", and "Precision Instrument etc."

12. Warranty

Warranty refer to defects of materials and components and do not refer to components subject to natural wear and maintenance work.

Only machines cleaned from dust and dirt in original factory packing fully completed, provided with instruction manual, warranty card with fixed sales date with a shop stamp factory serial number and originals of sales and ware receipt issued by salesman are subjects of warranty. Within the warranty period the service center eliminate free of charge all detected production defects. The manufacturer disclaims warranty and legal responsibilities if nonobservance of the instruction manual by user, unqualified disassembling repair or maintenance of the machine as well does not bear responsibility for caused injury to persons or damages.

**ВНИМАНИЕ! ПЕРЕД ИСПОЛЬЗОВАНИЕМ СВАРОЧНОГО АППАРАТА ВНИМАТЕЛЬНО ОЗНАКОМЬТЕСЬ С ДАННОЙ ИНСТРУКЦИЕЙ.**

К использованию и обслуживанию сварочного аппарата допускается только квалифицированный и специально обученный персонал, ознакомленный с данной инструкцией.

В этой инструкции содержится описание, правила безопасности и вся необходимая информация для правильной эксплуатации сварочного аппарата FUBAG. Сохраняйте данную инструкцию и обращайтесь к ней при возникновении вопросов по безопасной эксплуатации, обслуживанию, хранению и транспортировке сварочного аппарата FUBAG.

1. Правила безопасности

- Всегда соблюдайте правила безопасности. Носите защитную одежду и специальные средства защиты, чтобы избежать повреждения глаз и кожных покровов.
- Всегда надевайте защитную маску во время работы сварочным аппаратом или используйте очки с защитным затемненным стеклом.
- Старайтесь, чтобы искры и брызги не попали на тело.
- Избегайте контактов с открытыми токоведущими кабелями сварочного аппарата, не прикасайтесь к электрододержателю/горелке и свариваемой поверхности.
- Не работайте под водой или в месте с повышенной влажностью.
- Дым и газ, которые попадают в воздух при сварке, опасны для здоровья. Перед началом работ убедитесь, что вытяжка и вентиляция исправно работают.
- Убедитесь, что излучение дуги не попадет на других людей, находящихся поблизости от места сварки.
- Помните, что при сварке температура обрабатываемой поверхности повышается, поэтому старайтесь не прикасаться к обрабатываемым деталям во избежание ожогов.
- Не прикасайтесь к месту подключения питания или к другим частям сварочного аппарата, которые находятся под током. Отключайте питание сразу после окончания работы или перед тем, как оставить место работы.
- Никогда не работайте там, где существует опасность получения электрошока.
- Никогда не производите сварку емкостей, в которых могут содержаться легковоспламеняющиеся или взрывоопасные материалы.
- При высотных работах во избежание несчастного случая соблюдайте правила техники безопасности работы на высоте.
- Следите за тем, чтобы на рабочей площадке не было посторонних людей.
- Сварочные аппараты излучают электромагнитные волны и создают помехи для радиочастот, поэтому следите за тем, чтобы в непосредственной близости от аппарата не было людей, которые используют стимулятор сердца или другие принадлежности, для которых электромагнитные волны и радиочастоты создают помехи.



ВНИМАНИЕ. Сварочный аппарат находится под напряжением, поэтому прежде, чем приступить к его обслуживанию, следует обесточить его во избежание электрошока. Перед проведением любых работ всегда необходимо отключать источник питания. К работам со сварочным аппаратом допускаются только специалисты.

- Проверьте подключение входных и выходных кабелей, заземление и т.д.
- Техническое обслуживание должны выполнять только квалифицированные специалисты.
- Если ваш сварочный аппарат был только что установлен или к работе приступает новый оператор, следует проверить сопротивление изоляции между обмотками и кожухом.
- Когда сварочный аппарат используется при работах вне помещений, его следует беречь от дождя и предохранять от длительного воздействия солнечных лучей.
- Температура окружающей среды при эксплуатации аппарата должна быть от -10°C до $+40^{\circ}\text{C}$.
- Время от времени следует проверять состояние сварочного кабеля. Если аппарат используется регулярно, его следует проверять не менее одного раза в месяц. Состояние сварочного кабеля также следует проверять, если сварочный аппарат используется как переносной.
- Если сварочный аппарат временно не используется или не используется продолжительное время, его следует хранить в сухом, хорошо проветриваемом помещении, не допуская попадания на него влаги, коррозионно-опасных или токсичных газов.
- Регулярно следует очищать сварочный аппарат от пыли. Проверьте, не ослаблены ли детали крепления аппарата, электромагнитную систему, ручки настройки тока и т.д.
- Наличие в воздухе пыли, а также едких и коррозионных веществ не должно превышать допустимых норм.
- Сварочный аппарат должен быть установлен в таком месте, где на него не будет попадать дождь и солнечные лучи.
- Необходимо обеспечить доступ воздуха к сварочному аппарату, для этого вокруг него должно быть свободное пространство не менее 50 см.
- Убедитесь, что на месте работы сварочного аппарата нет металлических или инородных предметов во избежание их попадания в аппарат.
- Если аппарат не эксплуатируется, электрод следует вынимать из держателя.
- Не устанавливайте сварочный аппарат на вибрирующую поверхность.
- Убедитесь, что в месте установки сварочного аппарата отсутствуют посторонние помехи.

Перед началом работы следует тщательно проверить:

- чтобы не было короткого замыкания между кабелями сварочного аппарата;
- прочность соединения разъемов и кабелей.

Квалифицированный персонал должен регулярно проводить проверку сварочного аппарата в том случае, если он используется после длительного хранения или ремонта. Эти проверки включают следующие процедуры:

- проверку сварочного кабеля. Кабель должен быть заменен прежде, чем будет полностью изношен. Входной кабель должен быть заменен в случае повреждения;
- проверку мощности источника питания. Любой источник питания, использующийся для сварочного аппарата, должен быть оснащен защитными системами.

Если вы столкнулись с проблемами, с которыми не можете справиться, обращайтесь в Сервисный центр.

2. Технические характеристики

Параметр	IR 140	IR 160	IR 180	IR 200	IR 220
Входное напряжение, В	220	220	220	220	220
Частота, Гц	50	50	50	50	50
Максимальный потребляемый ток, А	25	30	35	40	41
Эффективный потребляемый ток, А	11,2	15	15,7	15,5	15,9
Максимальная потребляемая мощность, кВА	5,5	6,6	7,7	8,8	9,0
Напряжение холостого хода, В	65	65	65	65	65
Минимальный сварочный ток, А	5	5	5	5	5
Максимальный сварочный ток, А	140	160	180	200	205
Напряжение при min сварочном токе в режиме, В	20,2	20,2	20,2	20,2	20,2
Напряжение при max сварочном токе в режиме, В	25,6	26,4	27,2	28	28,2
ПВ при максимальном сварочном токе в режиме, %	40	40	40	40	40
Сварочный ток при ПВ=100%, А	63	80	81	82	82
Производительность, %	85	85	85	85	85
Коэффициент мощности	0,92	0,92	0,92	0,92	0,92
Класс изоляции	H				
Степень защиты	IP21S				
Тип охлаждения	Воздушное принудительное				
Габаритные размеры (ДхШхВ), мм	340x120x240				
Вес, кг	5				

Производитель имеет право вносить изменения как в содержание данной инструкции, так и в конструкцию сварочного аппарата без предварительного уведомления пользователей.

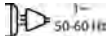


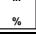

3. Описание

Инверторный аппарат для сварки штучными покрытыми электродами (ММА) создан с использованием усовершенствованной технологии IGBT. Аппарат использует электрическую дугу между электродом и свариваемым материалом в качестве источника тепла для плавления электрода и свариваемого металла. Аппарат позволяет производить сварку всеми типами электродов: рутиловыми, базовыми, из нержавеющей стали и др. Аппарат адаптирован к российским условиям эксплуатации, имеет защиту от перегрева и предназначен для работы от напряжения $220 \pm 15\%$.

Основными характеристиками данного инверторного аппарата являются:

- Небольшой объем и легкий вес, из-за чего аппарат широко используется для выполнения ремонтных работ в полевых условиях.
- Великолепное зажигание дуги и перенос металла.
- С помощью аппарата можно производить сварку способом сверху вниз в вертикальном положении.
- Благодаря струйному переносу наплавляемого металла возможно осуществлять сварку электродами с целлюлозным покрытием.
- Наличие различных средств защиты предохраняет аппарат от перегрева, перенапряжения, падения напряжения, чрезмерного тока и т.д.
- Удобное соединения. Внешние разъемы делают соединения безопасными, быстрыми и надежными.

4. Расшифровка пиктограмм и предупредительных знаков

СИМВОЛ	РАСШИФРОВКА
A	Ампер
V	Вольт
Hz	Герц
	Ручная дуговая сварка MMA
S	Пригоден для работ в среде с повышенным риском электрошока
IP21	Степень защиты
	Сварка постоянным током
	Характеристики электропитания
U₀	Напряжение холостого хода
U₁	Напряжение электросети
I_{1max}	Максимальный сетевой ток
I_{1eff}	Максимальный эффективный сетевой ток
	Структура сварочного аппарата
	Продолжительность включения
I₂ 	Ток, соответствующий сварочному циклу
U₂ 	Напряжение, соответствующее сварочному циклу
	Необходимо применение защитной одежды, перчаток и очков
	Опасность пожара или взрыва
	Внимательно читайте инструкцию по эксплуатации
	Необходима специальная утилизация

5. Устройство и условия работы

В верхней части аппарата размещены индикатор питания (зеленый), индикатор срабатывания термозащиты (желтый) и ручка регулировки силы сварочного тока. В нижней части аппарата размещены разъемы для подключения сварочных кабелей с электрододержателем и зажимом массы. На задней панели аппарата установлен выключатель питания. Сверху аппарат имеет удобную ручку для переноски.

Необходимые условия окружающей среды:

- температура окружающей среды: при сварке $-10 + 40^{\circ}\text{C}$;
при транспортировке/хранении: $-25 + 55^{\circ}\text{C}$
- относительная влажность:
 - при 40°C : $\leq 50\%$;
 - при 20°C : $\leq 90\%$;
- количество пыли, кислоты и грязи в воздухе в рабочей зоне не может превышать значение, указанное в нормативах (за исключением выбросов от сварочного аппарата).
- отсутствие сильной вибрации на рабочем месте
- высота над уровнем моря не больше 1000 м

Требования к электропитанию:

- отклонение напряжения электропитания от нормы не должно превышать $\pm 15\%$

6. Установка и подключение

Размещение сварочного аппарата

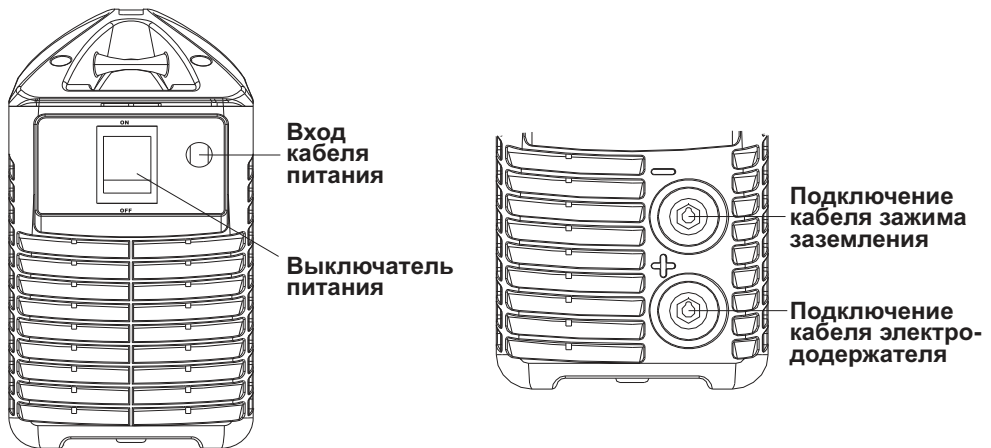
- Количество пыли, кислоты и грязи в воздухе в рабочей зоне не должно превышать значение, указанное в нормативах (за исключением выбросов от сварочного аппарата)
- Сварочный аппарат должен быть установлен в таком месте, где он не подвергается воздействию солнечного света и дождя. Также его следует хранить в наименее влажном месте при температуре от -10 до 40°C .
- Для обеспечения достаточной вентиляции расстояние над сварочным аппаратом должно быть не менее 50 см. Если внутренней вентиляции не достаточно, следует установить оборудование для устранения дыма и предохранения от ветра.

Подсоединение источника питания

Подсоедините электрокабель к однофазной сети электропитания 220 В с выключателем. Напряжение 380 В запрещено использовать, так как оно может серьезно повредить аппарат и иметь серьезные последствия для оператора.

Внимание: Для подключения аппарата используйте розетку с заземлением.

При подключении сварочного аппарата к электрической сети переменного тока напряжением 220 В и частотой 50 Гц необходимо обеспечить защиту розетки для подключения автоматическим выключателем или плавкой вставкой с током срабатывания равным 25 А.

**Подключение кабелей электрододержателя и зажима заземления.****а) Подсоединение сварочного кабеля**

Подсоедините байонетный разъем сварочного кабеля к выходному соединению на передней панели с маркировкой «+» и поверните по часовой стрелке. Электрододержатель используется для зажима электрода.

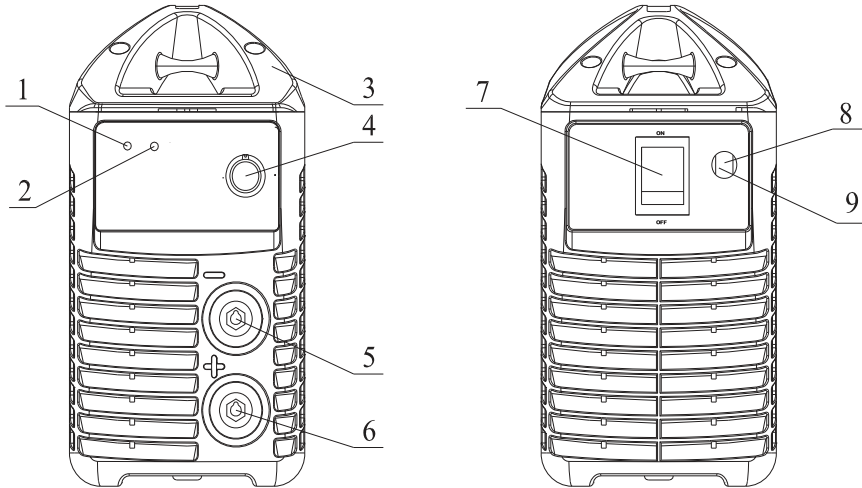
б) Подсоединение кабеля заземления

Подсоедините байонетный разъем кабеля заземления к выходному разъему на передней панели и поверните по часовой стрелке. Зажим заземления используется для подключения свариваемого материала в цепь сварочного тока.

Внимание: Не используйте вместо кабеля заземления, стальную пластину или другие подобные материалы, которые являются плохими проводниками, для соединения сварочного аппарата со свариваемым изделием.

7. Сварочные работы

Внимание: Класс защиты данного инверторного аппарата IP21S, что обеспечивает защиту от проникновения твердых предметов размером более 12,5 мм.



- 1 - Индикатор питания
- 2 - Индикатор термозащиты
- 3 - Ручка
- 4 - Регулятор сварочного тока
- 5 - Разъем подключения кабеля зажима заземления
- 6 - Разъем подключения кабеля электрододержателя
- 7 - Выключатель питания
- 8 - Ввод кабеля подключения к электросети
- 9 - Кабель питания

Внимание:

- Индикатор термозащиты загорится после долгого периода работы, что означает, что внутренняя температура превышает допустимое значение, в таком случае следует остановить работу аппарат на некоторое время и дать ему остыть. Работу можно продолжить после того, как индикатор защиты погаснет.
- После завершения работы или при временной остановке работы следует отключать электропитание.
- Сварщикам следует надевать холщовую защитную одежду и маски для защиты от излучения дуги.
- В рабочей зоне следует установить светозащитный экран для защиты других людей.
- Запрещается хранить в рабочей зоне взрывчатые или легковоспламеняющиеся вещества.
- Все подсоединения к сварочному аппарату должны быть выполнены правильно и надежно.

Зачистка свариваемого материала перед выполнением сварки

Металл на расстоянии 10-20 мм от шва должны быть очищены от ржавчины, маслянистой пыли, воды и краски и т.д.

Сварка

а) Регулировка перед проведением сварки.

- Отрегулируйте сварочный ток.

б) Сварка

- Возьмите электрододержатель, установите электрод, коснитесь электродом свариваемого материала для возбуждения дуги.

с) Смена электрода

- Когда длина электрода уменьшится до 1-2 см прекратите процесс сварки и нажмите на ручку электрододержателя. После этого вставьте новый электрод и отпустите ручку.

Внимание:

- Электрод нагревается до высокой температуры, соблюдайте меры безопасности во избежание ожогов.

8. Техническое обслуживание

В отличие от стандартного сварочного аппарата, данный сварочный аппарат является усовершенствованным, в котором используются современные электронные компоненты и совершенная технология. Поэтому проведение технического обслуживания такого аппарата следует проводить только квалифицированному персоналу. Однако, в силу того, что в данном аппарате присутствует очень малое количество быстро изнашиваемых деталей, он не требует проведения регулярного сервисного обслуживания, за исключением очистки. Отвечать за выполнение данной работы могут только квалифицированные работники. Мы настоятельно рекомендуем покупателям в случае возникновения проблем, которые они неспособны решить собственными силами обращаться к нам для получения технической поддержки.

- У нового сварочного аппарата или аппарата, который не использовался в течение некоторого времени, необходимо проверить сопротивление изоляции между каждой обмоткой, которое не должно быть менее 2,5 МОм.

- Защищайте аппарат от дождя, снега и длительного воздействия солнечного света при использовании на улице.

- Если сварочный аппарат не используется долгое время, его следует хранить при температуре от -25°C до +55°C и относительная влажность не может быть более 90%.

- Профессиональный работник сервисной службы должен регулярно очищать сварочный аппарат от пыли сжатым сухим воздухом (воздушный компрессор или другое подобное устройство). Детали склонные к замасливанью должны очищаться тряпкой и одновременно проводить осмотр на наличие неплотно закрепленных деталей внутри аппарата. В случае обнаружения скопления пыли необходима немедленная очистка. В нормальных условиях очистку необходимо проводить только один раз в год. В случае чрезмерного пылеобразования очистку следует проводить раз в квартал.

- Необходимо регулярно проверять входные и выходные кабели сварочного аппарата, для того, чтобы гарантировать их правильное и прочное соединение. Проверку необходимо проводить один раз в месяц и каждый раз перед тем как убирать аппарат на хранение.

ВНИМАНИЕ:

- При проведении очистки аппарата, следует принять все меры предосторожности, чтобы избежать случайного удара электрическим током. Неквалифицированным работникам запрещено открывать корпус аппарата!
- Перед проведением очистки от пыли необходимо отключить источник питания.
- Никогда не перегибайте провода и не повреждайте детали при проведении очистки.

9. Неисправности и их устранение

НЕИСПРАВНОСТЬ	ПРИЧИНА	УСТРАНЕНИЕ
Горит желтый индикатор	Плохая вентиляция привела к срабатыванию защиты от перегрева	Улучшите условия вентиляции аппарата
	Температура окружающей среды слишком высока	При понижении температуры индикатор автоматически погаснет
	Использование сверх рабочего цикла	
Регулятор сварочного тока не работает	Регулятор сломан	Замените регулятор
Нет напряжения холостого хода	Напряжение слишком высоко ($\geq 15\%$)	Отключите электропитание. Проверьте сеть. Повторно запустите сварочный аппарат когда напряжение достигнет нормального уровня
	Срабатывание термозащиты	Дождитесь снижения температуры аппарата
	Выключатель сломан	Замените выключатель
Держатель электрода и сварочный кабель нагреваются до высокой температуры	ПВ электрододержателя слишком мало	Замените электрододержатель на другой с более высоким ПВ
	Кабели малого сечения	Замените кабели
	Разъем загрязнен окислами	Очистите разъемы
	Большое сопротивление между электрододержателем и кабелем	Отсоедините электрододержатель и зачистите кабель место контакта
Аппарат не включается	Включение после длительного перерыва (более 2 дней)	Не является дефектом. Требуется время для зарядки силовых конденсаторов. Включите и выключите аппарат. Если неисправность не устраняется обратитесь в сервисный центр
	Во время сварки	Обратитесь в сервисный центр
Другое		Обратитесь в сервисный центр

10. Комплектация

Инверторный аппарат.....	1шт
Сертификат.....	1шт
Руководство по эксплуатации.....	1шт
Аксессуары	
Кабель электрододержателя.....	1шт
Кабель заземления (с зажимом заземления).....	1шт

11. Хранение и транспортировка

- Аппарат следует беречь от попадания воды и снега. Обратите внимание на обозначения на упаковке. Тара для хранения должна быть сухой и со свободной циркуляцией воздуха и без наличия коррозионного газа или пыли. Диапазон допускаемых температур от -25 до +55°С, и относительная влажность не более 90%.

- После того, как упаковка была открыта, рекомендуется для дальнейшего хранения и транспортировки переупаковать аппарат. (Перед хранением рекомендуется провести очистку и запечатать пластиковый пакет, в который необходимо поместить аппарат перед помещением в коробку).

- У пользователей должны быть всегда в наличии упаковочные материалы для хранения аппарата. Если машина будет перемещаться во время транспортировки, тогда необходим деревянный ящик. На ящик необходимо поместить надпись «LIFT» или «Предохранять от дождя».

12. Гарантийные обязательства

Гарантийный срок на оборудование указывается в прилагаемом сервисном талоне.

Гарантия относится к дефектам в материалах и узлах и не распространяется на компоненты, подверженные естественному износу и работы по техническому обслуживанию.

Гарантийному ремонту подлежат только очищенные от пыли и грязи аппараты в заводской упаковке, полностью укомплектованные, имеющие инструкцию по эксплуатации, гарантийный талон с указанием даты продажи, при наличии штампа магазина, заводского номера и оригиналов товарного и кассового чеков, выданных продавцом.

В течение гарантийного срока Сервисный центр устраняет за свой счёт выявленные производственные дефекты. Производитель снимает свои гарантийные обязательства и юридическую ответственность при несоблюдении потребителем инструкций по эксплуатации, самостоятельной разборки, ремонта и технического обслуживания аппарата, а также не несет никакой ответственности за причиненные травмы и нанесенный ущерб.

Горячая линия FUBAG
тел.: (495) 641-31-31

info@fubag.ru
www.fubag.ru

